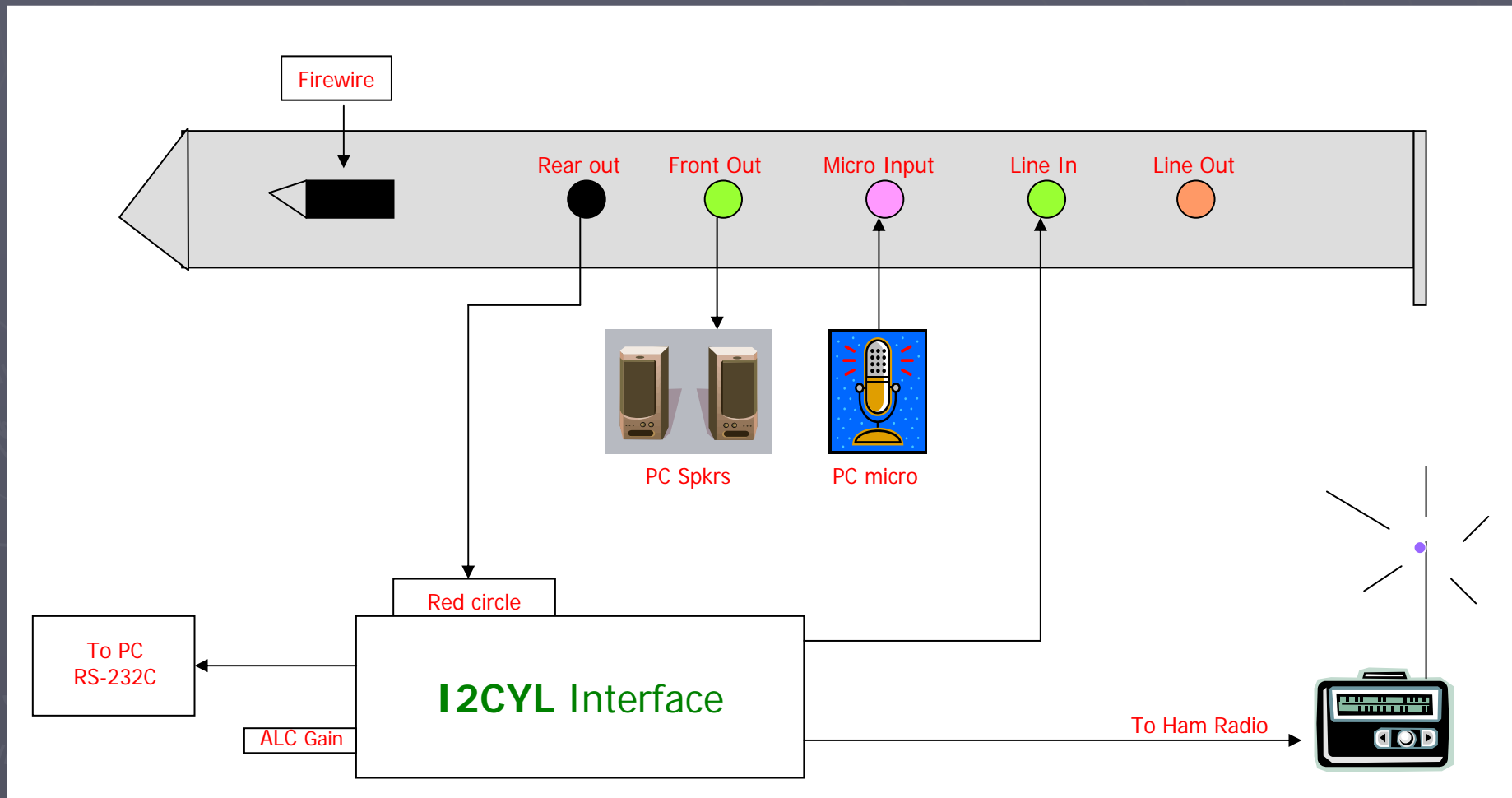


Interfacciamento audio

PC – Scheda I2CYL

By IW2CZG - Luca

Scheda SoundBlaster AUDIGY



Advantages

- ▶ More than 100 dB of S/N ratio
- ▶ You can control the ALC via the software (I use a multifunction keyboard to adjust audio output level)
- ▶ You can keep enjoying the existing multimedia PC features.

Disadvantages

- ▶ PC Mike can capture environmental sounds while software is transmitting.
- ▶ Soundblaster Audigy is not the cheapest audio card available in the market.